

**Handwriting with Handwriting Hank!**

**Let's Write Numbers!**

**Written and Illustrated by the Lord Jesus Christ**

**Prophet-Pastor Anita Hiltz©2022 All Rights Reserved Worldwide**

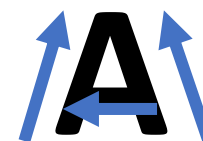
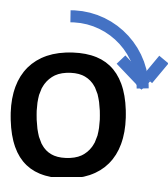
I give ALL of the glory to my Father God, the Lord Jesus Christ, and the Holy Spirit for the collection of books which He has written and for the illustrations and lessons He has created - ALL of which would not have been possible without Him. He instructed me to put the copyright in my name and I have obeyed. God's Loving World Ministries™ is a Christian Literacy organization whose mission is to teach remedial reading, writing, math, and English to English as a Second Language Learners FOR FREE.

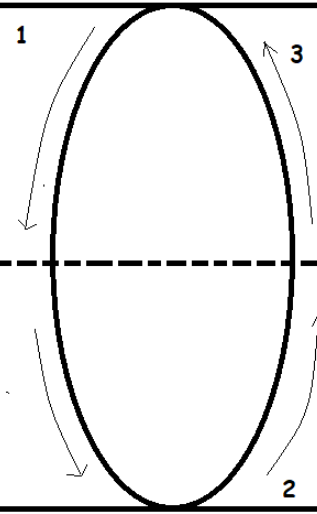
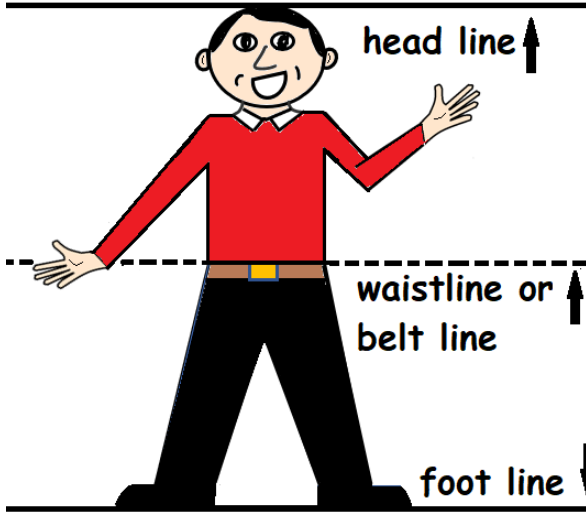
Psalm 115:1

"<sup>1</sup> Not to us, LORD, not to us  
but to your name be the glory,  
because of your love and faithfulness." (NIV)

In our book called: **Handwriting with Handwriting Hank! Getting Started!** we emphasize the importance of the hand grips and proper paper positions for a Left Handed and Right Handed Person.

A left handed person may begin at the same starting point, to write a letter or number, but reverse the direction. For example: an **O** may start at the top, but pull to the right instead of the left. Pulled lines are straighter lines, so lines which go straight across like those on the top line of a capital **T** and the center line on a capital **A** may be pulled from right to left instead of left to right. If the left handed writer is writing from above where the writing should occur - a line may be pulled from the bottom - up instead of top - down. Although our writing demonstrations show a certain numbered method. We suggest that as long as the writing **IS NEAT** and **MEETS** the standard for the formation of the letters, that you allow your lefty to use the method that works for them.





head line ↑

waistline or belt line ↑

foot line ↓

1 2 3

zero

Handwriting practice lines consisting of four sets of three horizontal lines (top solid, middle dashed, bottom solid).

head line ↑

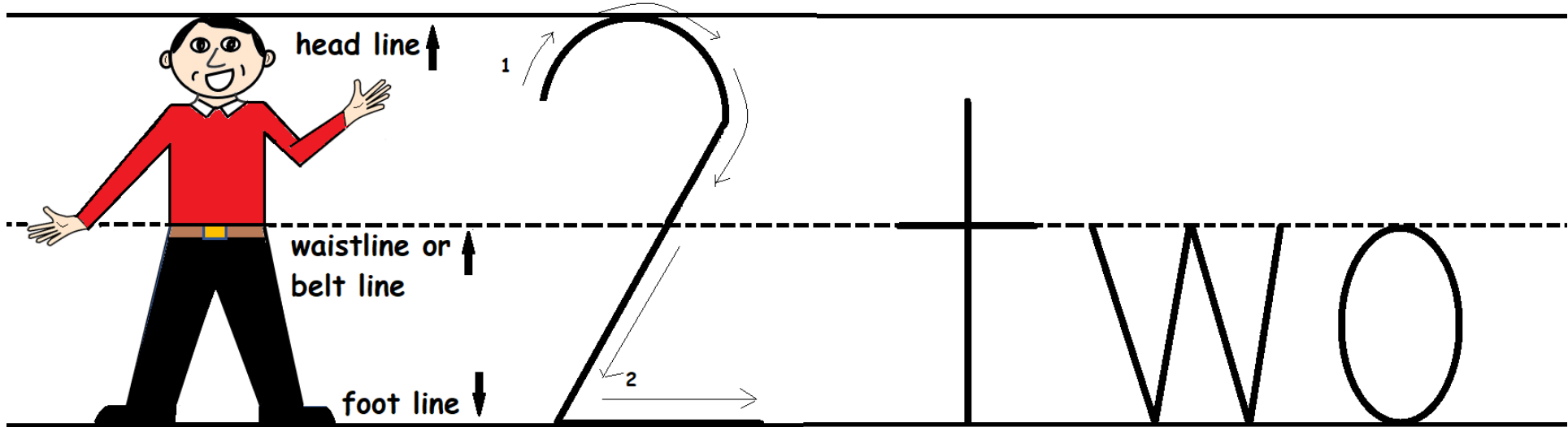
1

waistline or belt line ↑

foot line ↓

one

Handwriting practice lines consisting of four sets of three horizontal lines each. Each set includes a solid top line, a dashed middle line, and a solid bottom line, providing a guide for letter height and placement.



Handwriting practice lines consisting of ten sets of three horizontal lines (top solid, middle dashed, bottom solid) for practicing the number 2 and the letters 1, 2, and 0.

head line ↑

1

waistline or belt line ↑

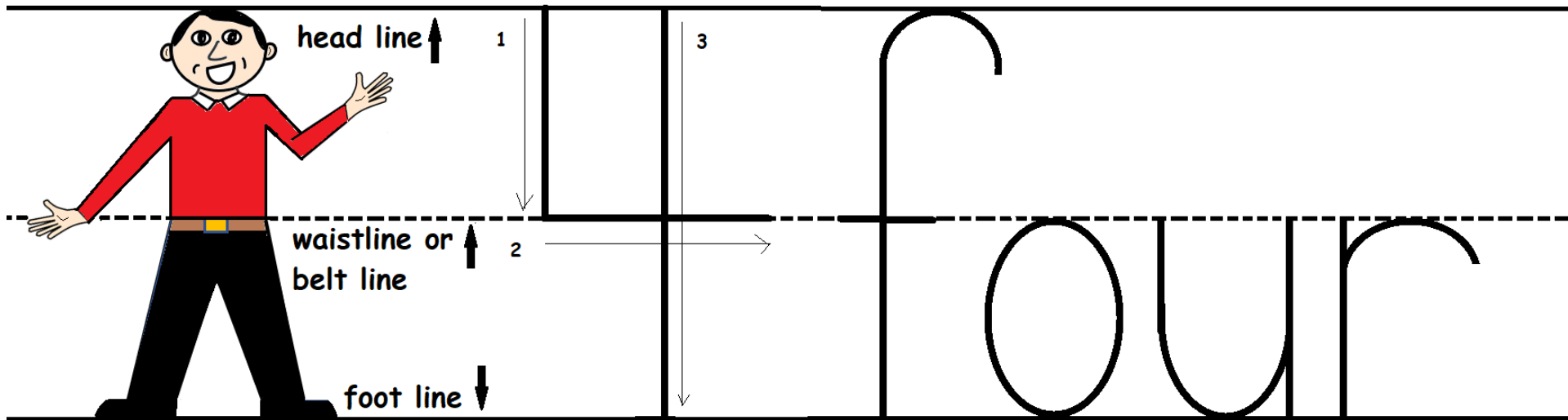
2

foot line ↓

line

The illustration shows a man in a red sweater and black pants standing on a horizontal line. Three horizontal lines are drawn across the page: a solid top line, a dashed middle line, and a solid bottom line. The man's head is between the top and middle lines, his waist is on the middle line, and his feet are on the bottom line. To the right of the man, the word 'line' is written in a simple, rounded font. The letter 'l' is a vertical line from the middle to the bottom line. The letter 'i' is a vertical line from the middle to the bottom line with a dot on the middle line. The letter 'n' is a vertical line from the middle to the bottom line with a hump that reaches the top line. The letter 'r' is a vertical line from the middle to the bottom line with a hump that reaches the top line. The letter 'e' is a vertical line from the middle to the bottom line with a hump that reaches the top line. The letter 'e' is a vertical line from the middle to the bottom line with a hump that reaches the top line. Arrows and numbers indicate the stroke order for the letter 'l': stroke 1 is a counter-clockwise curve from the top line to the middle line, and stroke 2 is a horizontal line from left to right across the middle line. Arrows and numbers indicate the stroke order for the letter 'i': stroke 1 is a counter-clockwise curve from the top line to the middle line, and stroke 2 is a horizontal line from left to right across the middle line. Arrows and numbers indicate the stroke order for the letter 'n': stroke 1 is a counter-clockwise curve from the top line to the middle line, and stroke 2 is a horizontal line from left to right across the middle line. Arrows and numbers indicate the stroke order for the letter 'r': stroke 1 is a counter-clockwise curve from the top line to the middle line, and stroke 2 is a horizontal line from left to right across the middle line. Arrows and numbers indicate the stroke order for the letter 'e': stroke 1 is a counter-clockwise curve from the top line to the middle line, and stroke 2 is a horizontal line from left to right across the middle line.

Handwriting practice lines consisting of four sets of three horizontal lines (top solid, middle dashed, bottom solid).



Handwriting practice lines consisting of four sets of three horizontal lines (top solid, middle dashed, bottom solid).



head line ↑

waistline or belt line ↑

foot line ↓

1

3

2

five

Handwriting practice lines consisting of three sets of horizontal lines. Each set includes a solid top line, a dashed middle line, and a solid bottom line, providing a guide for letter height and placement.

head line ↑

waistline or belt line ↑

foot line ↓

1

2

3

Six

The illustration shows a man in a red sweater and black pants standing on a solid line labeled 'foot line'. A dashed line at his waist is labeled 'waistline or belt line', and a solid line at his head is labeled 'head line'. To his right is a lowercase letter 'o' with three numbered arrows: '1' shows the downward curve from the head line to the foot line; '2' shows the counter-clockwise circle; '3' shows the upward curve from the foot line back to the head line. To the right of the 'o' are the words 'Six' in a simple font, with a dot above the 'i'.

Handwriting practice lines consisting of four sets of three horizontal lines: a solid top line, a dashed middle line, and a solid bottom line.

head line ↑ 1

waistline or belt line ↑

foot line ↓ 2

seven

Handwriting practice lines consisting of four sets of three horizontal lines (top solid, middle dashed, bottom solid).

head line ↑ 1

waistline or belt line ↑ 2

foot line ↓ 3

4 5 6

e i j o n

Handwriting practice lines consisting of two sets of three horizontal lines each: a solid top line, a dashed middle line, and a solid bottom line.

head line ↑

waistline or belt line ↑

foot line ↓

1 2 3 4 5

mine

Handwriting practice lines consisting of four sets of three horizontal lines (top solid, middle dashed, bottom solid).

head line ↑

1

2

3

4

5

waistline or belt line ↑

foot line ↓

l e n

Handwriting practice lines consisting of four sets of three horizontal lines (top solid, middle dashed, bottom solid) for tracing and writing practice.

Lord Jesus the Christ,  
I've made so many mistakes I must confess.  
I repent of them now and turn from them.  
I no longer want that mess.  
Lord Jesus, I believe you are the Son of God  
and believe in your resurrection.  
I want to be a child of God  
and receive your love and affection.  
Lord Jesus the Christ, be my Savior.  
Come into my heart.  
Cleanse me now of all unrighteousness  
and give me a brand-new start.  
I ask for the baptism of the Holy Spirit  
and the baptism by Holy fire too.  
I WANT to be changed and to do the RIGHT things  
I need help from you.

Please help me to read, write, and do my math.

I want to start learning today.

I want my life to take a turn  
and start in a whole new way.

Thank you, Lord Jesus, for helping me to learn.

I KNOW you can help make my ability,

greater than anyone ever imagined

and bring back my self-respect and dignity.

I ask this in the name of the Lord Jesus the  
Christ.

I say "Amen" and make it sure.

Now I'll start learning the RIGHT way.

I KNOW Lord Jesus, YOU are the door.

AMEN!



**What should you do now as a new Christian?**

**You should also be baptized by immersion, meaning that you're dunked totally under the water, you are dunked and brought right back up, that's the way Christ was baptized and we're supposed to follow HIS example of what to do. So, be baptized by immersion and then ask the Lord where you should be going to church. What is the church that He would like you to go to?**

Brought to you by:

God's Loving World Ministries™

"Planting Seeds To Teach A Man To READ,

So He Can Learn For A Lifetime!"™



[www.capitalg-ingodslovingworldmin.org](http://www.capitalg-ingodslovingworldmin.org)